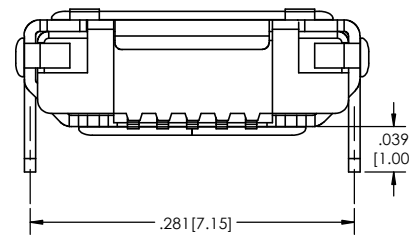
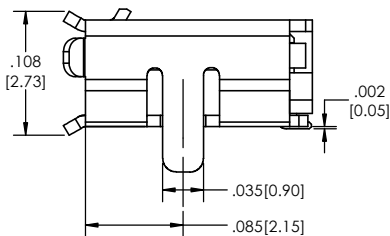
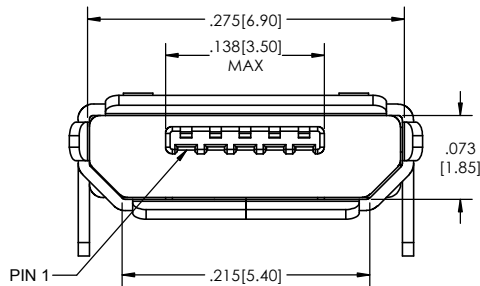
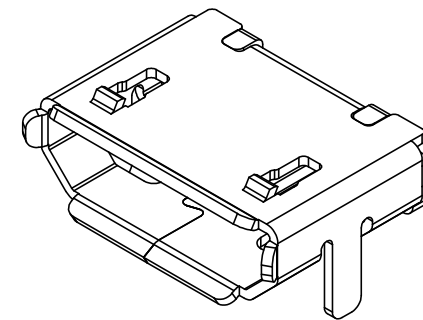
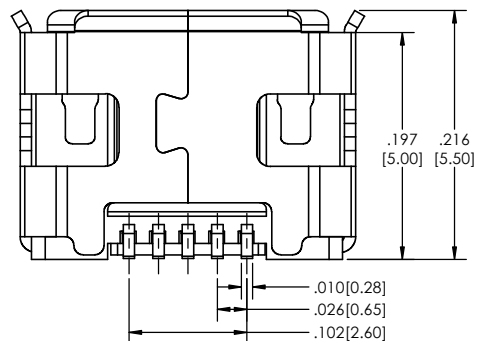
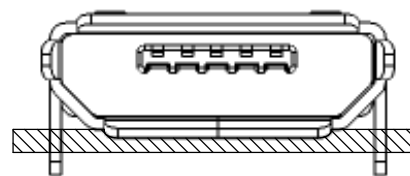


RECOMMENDED PCB LAYOUT



APPLICATION



MUSB-2 **05** - **OSS** - **H** - **B** - **BM** - **TR** - **LF**
 (A) (B) (C) (D) (E) (F) (G)

- A. Number of Contacts
- 05 Positions
- B. Mounting Options
- OSS= Outer Shell Stakes
- C. Contact Plating
- See Plating Options box below
- D. Type
- B
- E. Mount Style
- BM= Bottom Mount
- F. Packaging Options
- TR= Tape and Reel
- G. Lead Free

Plating options	
<input checked="" type="checkbox"/>	30µ Gold on Contact Area/ Matte Tin on Tail

Specifications:

Electrical:
 Voltage Rating: 100 V AC/DC
 Current Rating:
 Signal Mode: 1.0A AC/DC All Pins
 Power Mode:
 Signal (Pins 2, 3, 4): at 1.0A AC/DC
 Power (Pins 1, 5) at 1.8A AC/DC
 Contact Resistance: 30 Milliohms Max.
 Insulation Resistance: 1000 Megohms Min.
 Dielectric Withstanding Voltage: 500V AC/ Minute
 Operating Temperature: -30°C to +85°C

Mechanical:
 Mating Force: 35N Max.
 Unmating Force: 10N Min.
 Durability: 10,000 Cycles

Material:
 Housing: LCP, UL94V-0, Black
 Terminal: Copper Alloy
 Shell: Stainless Steel (SUS304) T= 0.25mm

Finish:
 Underplating: Nickel
 Plating:
 Contact Area: See Plating Options
 Solder Tails: Gold Flash or Matte Tin
 Metallic Shell: Matte Tin



PROPRIETARY AND CONFIDENTIAL
 THE INFORMATION CONTAINED IN THIS DRAWING IS THE SOLE PROPERTY OF Major League Electronics. ANY REPRODUCTION IN PART OR AS A WHOLE WITHOUT THE WRITTEN PERMISSION OF Major League Electronics IS PROHIBITED.

UNLESS OTHERWISE SPECIFIED:		NAME	DATE	
DRAWN	EOW	12/12/14		
CHECKED	GW	12/12/14		
ENG APPR.				
DIMENSIONS ARE IN INCHES		INTERPRET GEOMETRIC TOLERANCING PER:		ADDRESS: 2533 Centennial Blvd. Jeffersonville, IN 47130 Phone: 812-670-4174 Fax: 812-670-4175 E-Mail: mle@mlelectronics.com
TOLERANCES:		MATERIAL		
ONE DECIMAL ±.100		FINISH		TITLE: MUSB-205-OSS-H-B-BM-TR-LF
TWO DECIMAL ±.010		APPLICATION		SIZE DWG. NO.
THREE DECIMAL ±.005		DO NOT SCALE DRAWING		REV B
FOUR DECIMAL ±.002				SCALE 12:1
NEXT ASSY	USED ON			SHEET 1 OF 1